

DIY Scrap Wood Bunny Condo

www.hooksandhammers.com

If you want to purchase the materials:

1 box of 1/4" screws OR a nail gun.

1 box of 1 5/8" screws

1 box of 2" screws

1 roll of wire mesh, at least 8 feet long.

1 box of staples

4 2X4X8

1 1X2X8

1 2X4X8 sheet of 23/32 plywood (You only need 1/2 of a sheet, and may be able to purchase a 4X4 piece)

1 2X4X8 sheet of 1/4 plywood

I estimate the cost to be about \$115.00. I based this price on the cost of materials at my local [Lowes](#). Your costs could be higher or lower, depending on what your local prices are.

Cut list:

1 - 2X4X8 ripped into 3 - 3/4 X 1 1/2's

1 - 3/4X1 1/2 @ 34 1/2", 34 1/2", 24 1/2"

1 - 3/4X1 1/2 @ 34 1/2", 34 1/2", 24 1/2"

1 - 3/4X1 1/2 @ 34 1/2", 34 1/2", 24 1/2"

1 - 2X4X8's ripped into 4 - 1 1/2" X 1 1/2" pieces (for the sliding door rails)

1 - 1 1/2X1 1/2 @ 34 1/2", 34 1/2"

1 - 1 1/2X1 1/2 @ 34 1/2", 34 1/2"

1 - 2X4X8 ripped into 1 - 1 1/2X1 1/2 and 1 - 1X2

1 - 1 1/2 X 1 1/2 @ 36", 36"

1 - 3/4X1 1/2 @ 23", 23", 21 1/2", 21 1/2"

1 - 2X4X8 ripped into 1 - 1 1/2" X 2" piece, and 1 - 1X2

1 - 1 1/2" X 2" @ 36", 36"

1 - 3/4X1 1/2 @ 4 1/2", 23", 23", 23"

1 - 1X2X8 cut into 2 - 34 1/4" pieces and 1 - 20" piece (This piece is bought as a standard 1X2)

1 sheet of 1/4" plywood ripped into:

1 - 27 1/2" X 34 1/5"

1 - 23" X 34 1/2"

2 - 14 1/2 X 21 1/2"

2 - 5 1/4" X 11 1/2"

1 - 11 1/2" X 18"

1 sheet of 23/32 plywood ripped into:

27" X 39" **4' X 4' sheets may be available at your local home improvement store**

To assemble:

Make 2 sides as you see below, using:

2 - 1 1/2X1 1/2 @ 36"

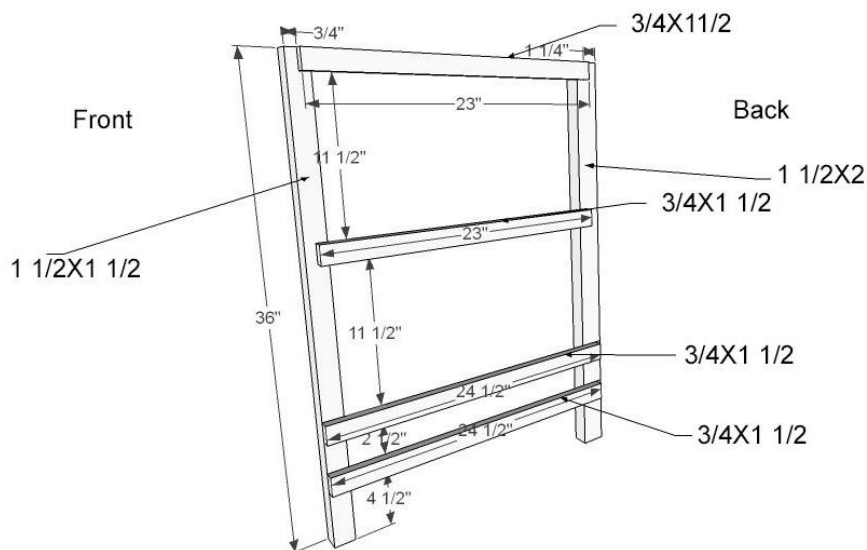
2 - 1 1/2X2 @ 36"

2 - 3/4X1 1/2 @ 23"

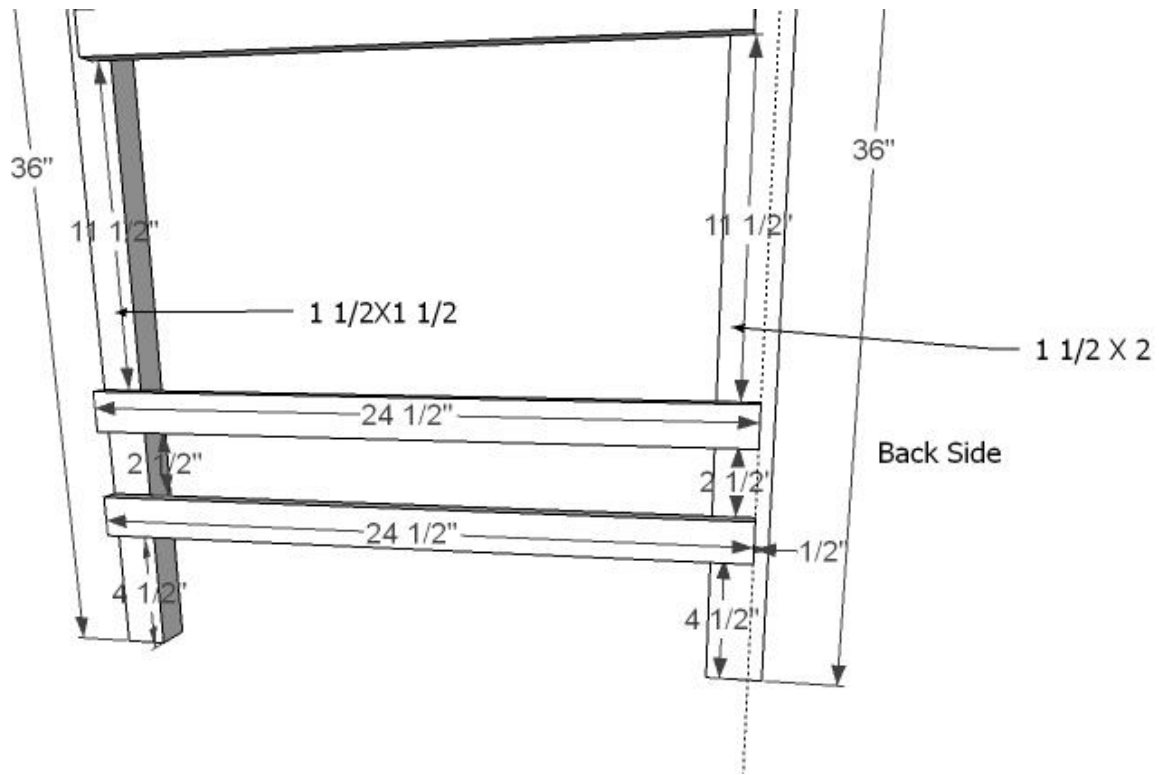
2 - 3/4X1 1/2 @ 24 1/2"

The 1 1/2X1 1/2's are the front sides/legs. The 1 1/2X2's are the back sides/legs.

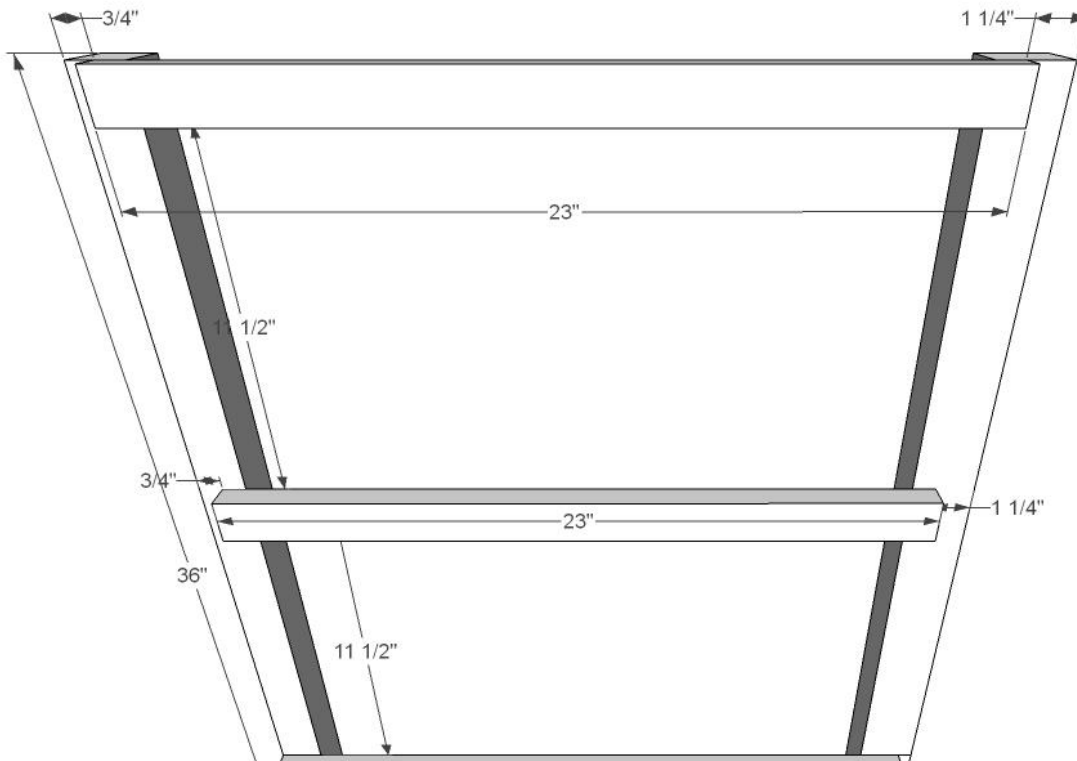
Make 2 Sides



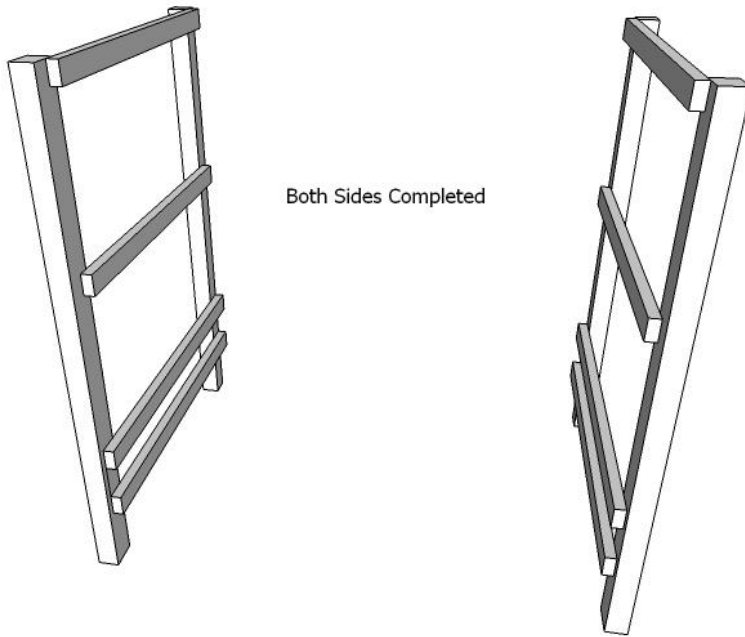
Here is the bottom section of the side, showing the correct placement of the supports:



Here is the top section of the sides, showing the correct placement for the supports:



You should have 2 sides that look like this:



Once you have assembled both sides, you can now attach the front and back supports. The front and back supports are made from:

6 - 3/4X1 1/2 @ 34 1/2"

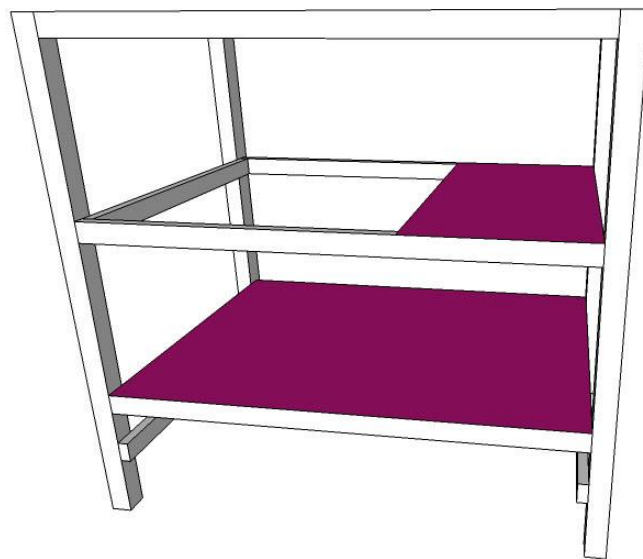


Next, you should attach the top shelf support. The top shelf support is made from:

1 - 3/4X1 1/2 @ 23"

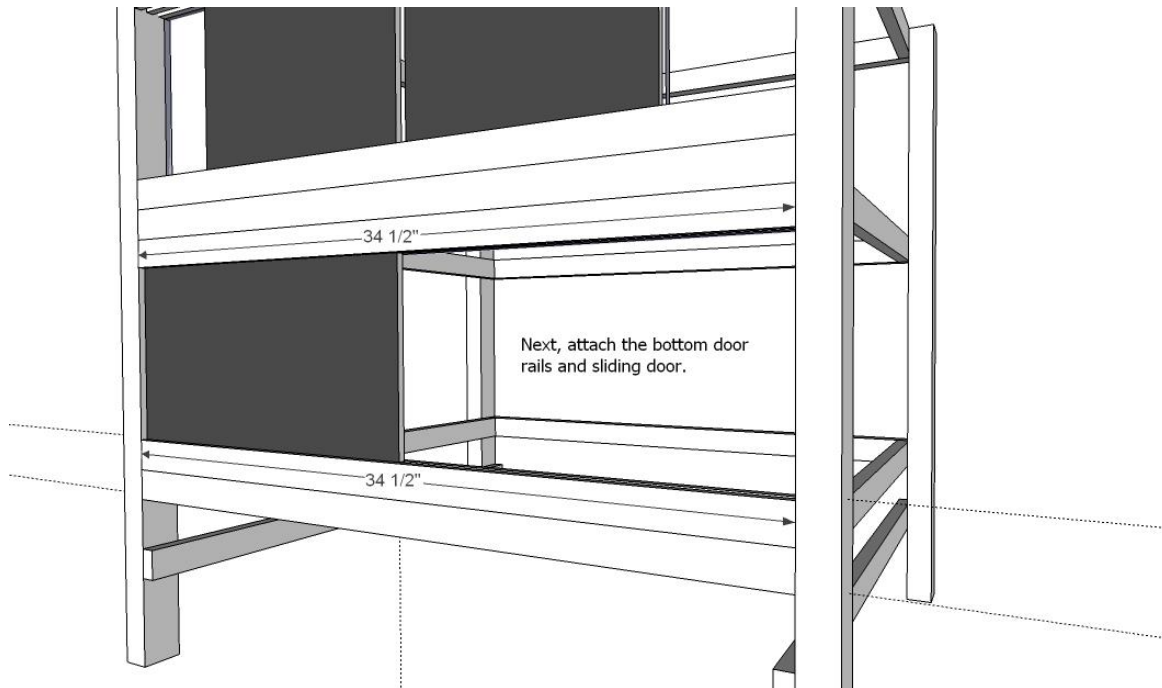


Now, you can attach your wire mesh. We used wire mesh that had 1/2" holes in it. Just big enough to allow for the poop to drop, and not collect on the shelves. We attached the mesh with staples and made sure there were no sharp areas where the bunny could hurt himself:

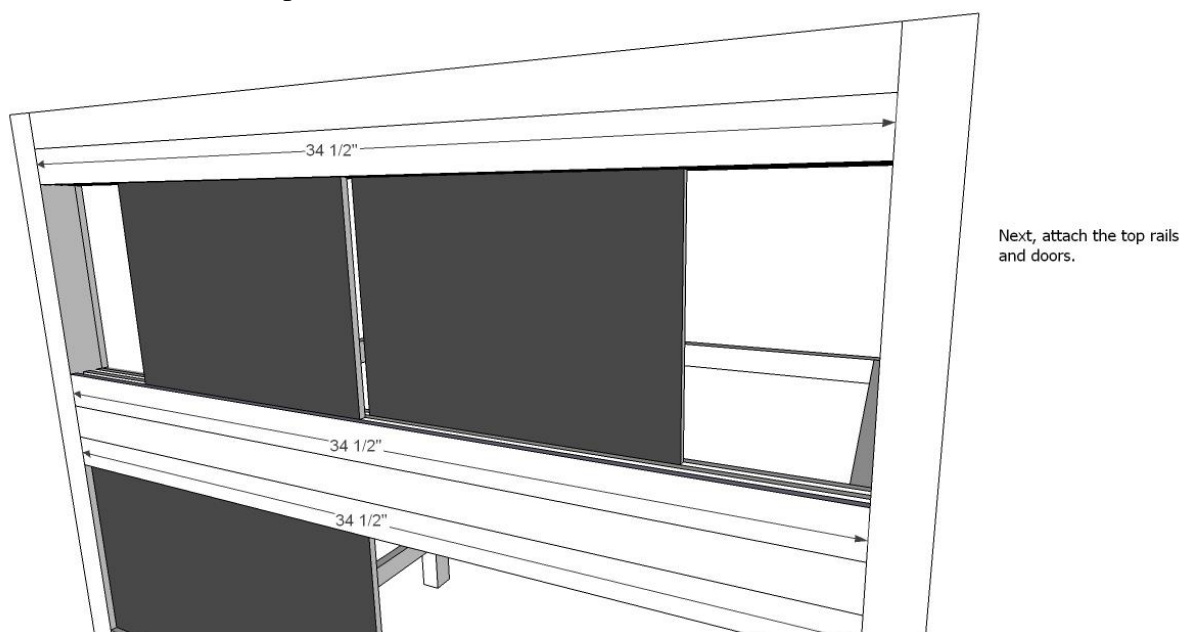


The next part is a bit tricky. We used a table saw and cut a dado out of a board we ripped down to 1 1/2" X 1 1/2". Go to the blog post, and visit the link that shows the technique we used. If you have a router, you can totally cut your dado with this! The dados are 1/4" wide. You will need 2 dados on the top tracks (for 2 doors), and 1 dado on the bottom tracks for the single door.

To attach the rails and door, we pre-drilled holes into the rail board. We then attached the top rail with 1 5/8" screws. Then, we inserted the door into the bottom track, and into the top track, and attached the bottom rail with 1 5/8" screws. For doors, we used some scrap metal mesh. You could certainly modify the front, to where the top half would be the same wire mesh as the shelves and make a door from the leftover plywood.



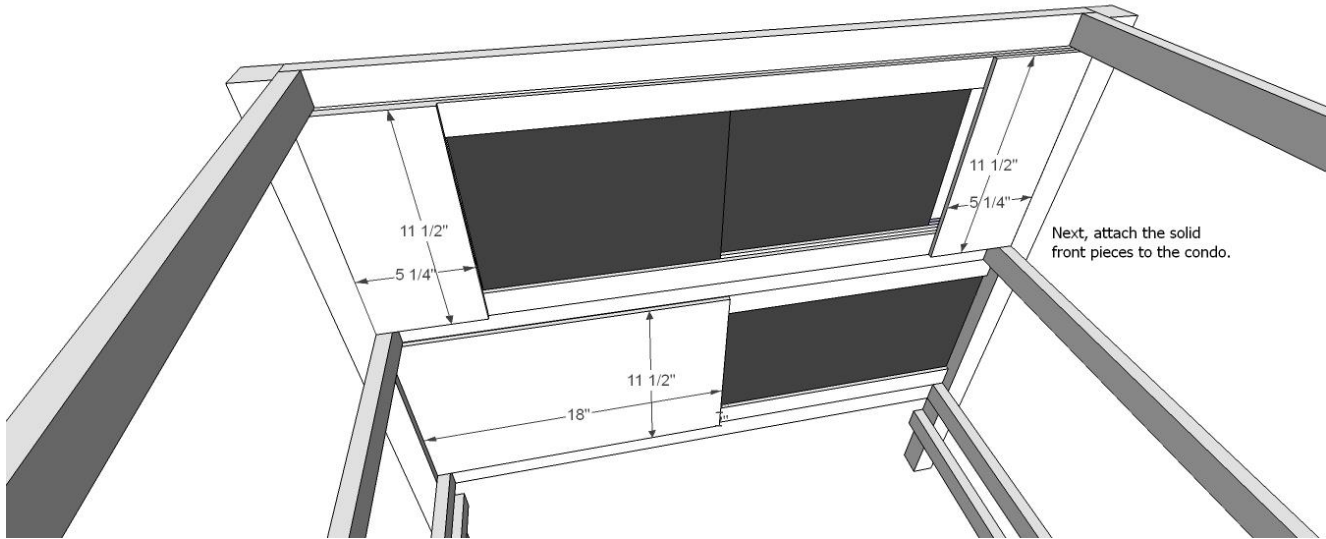
We did the same for the top rails and doors:



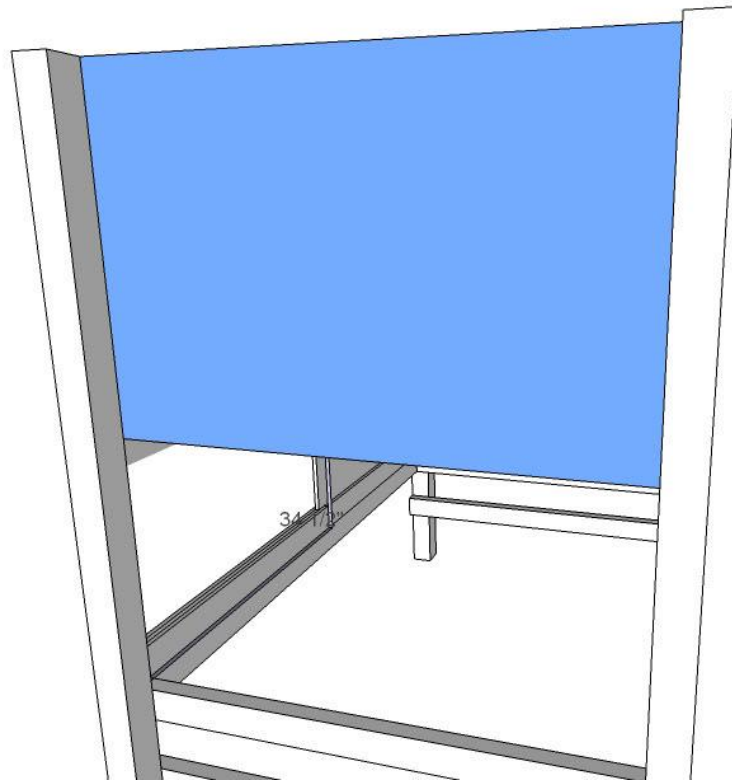
Next, we attached the solid front pieces to the inside. Those pieces are made from 1/4 plywood, and consist of:

1 @ 11 1/2"X18"

2 @ 5 1/4"X11 1/2"



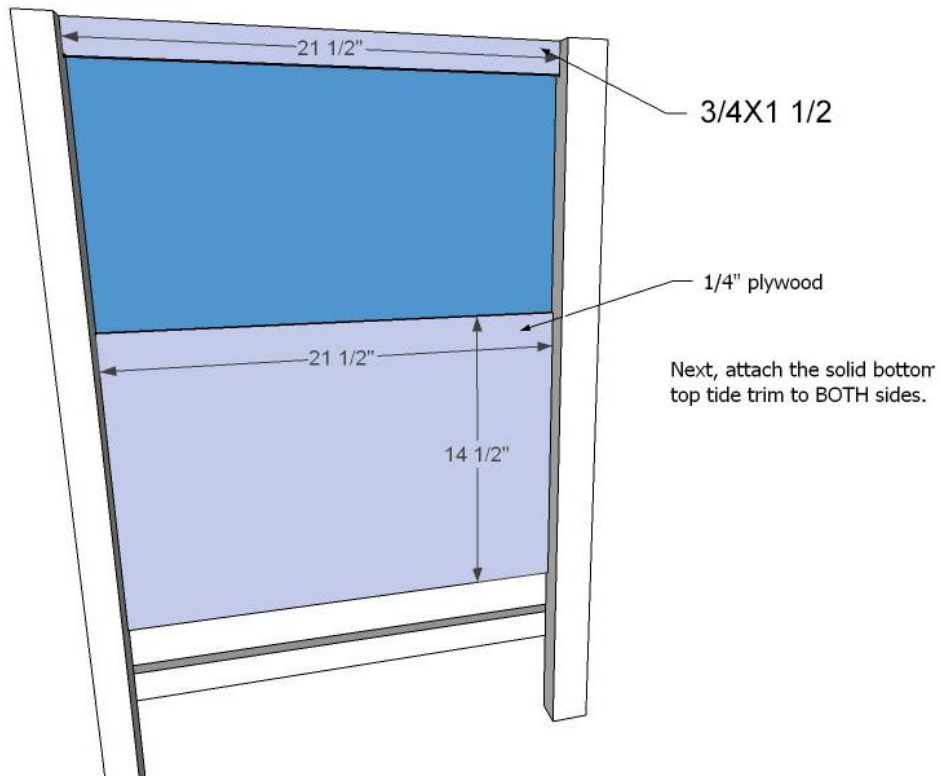
After that, you attach the wire mesh to the top of each side, as shown below. Again, making sure there are no sharp areas where the bunny could get hurt.



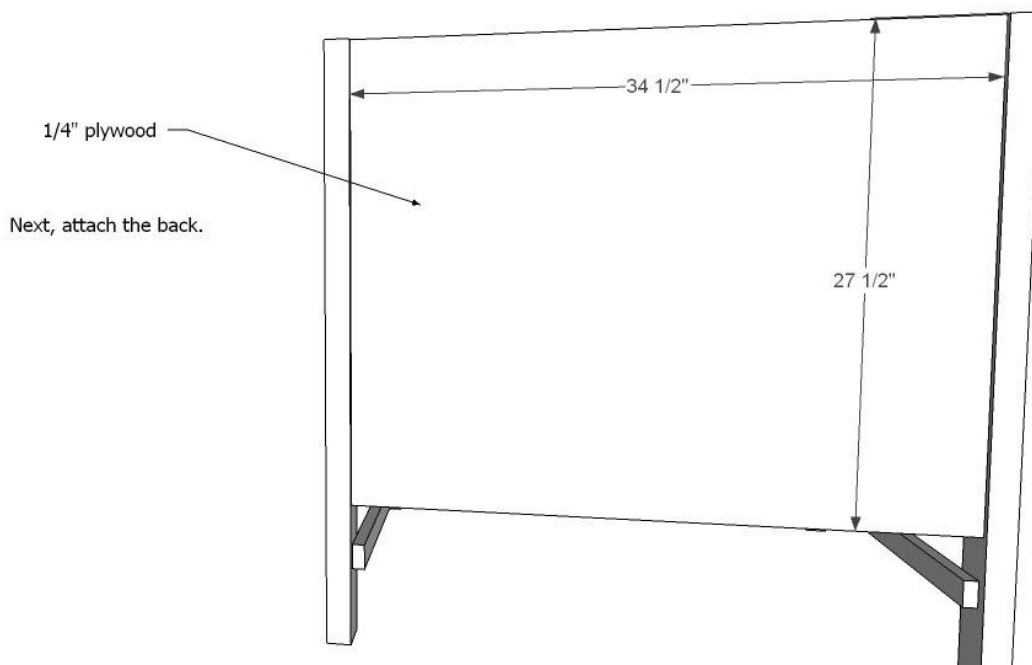
Next, attach the top side trim, and the solid side panels and top trim to each side. These consist of:

2 pieces of 1/4" plywood @ 14 1/2"X21 1/2" (1 for each side)

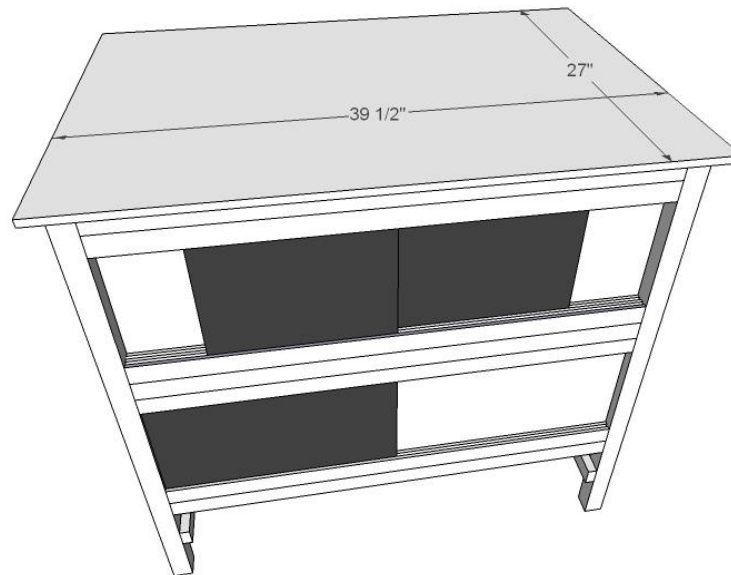
2 - 3/4X1 1/2 @ 21 1/2" (1 for each side)



Next, attach your back panel. It is made of 1/4" plywood and measures 27 1/2"X34 1/2"



Finally, attach the top. Leave a 1" overhang on each side. It is made of 23/32" plywood, and measures 27"X39 1/2"



The last thing to build is the tray that goes in the bottom, to collect the droppings. This consists of a 1/4" thick piece of plywood, cut to 34 1/4" X 24 1/2". You then attach the 3/4X1 1/2's as shown below. We coated ours with a leftover can of "Flexspray", to seal it. The tray is made of:

1 piece of 1/4" plywood @ 34 1/2"X23"

2 - 3/4X1 1/2 @ 34 1/2"

2 - 3/4X1 1/2 @ 20"

Next, attach your 1X2's to the 1/4" plywood as shown below:

