

# DIY Train Table

## Hooks and Hammers

### You will need:

Table saw, miter saw, cordless drill

### Materials:

1 - 1/2" sheet of 4'X8' plywood (you only need 1/2, some home improvement stores carry 4"X4" sheets)

2 - 1X4X8

1 - 2X2

The cost of materials is estimated at \$35.00. This is based on the prices at my local Lowes.

### Cut List:

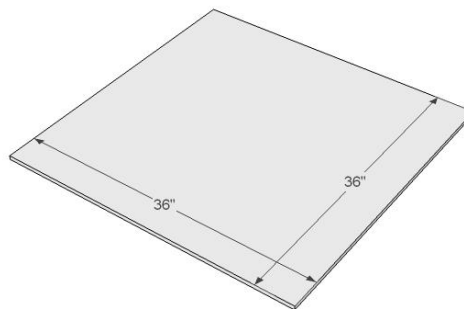
1/2" Plywood cut to 36"X 36"

2 - 1X4 @ 36"

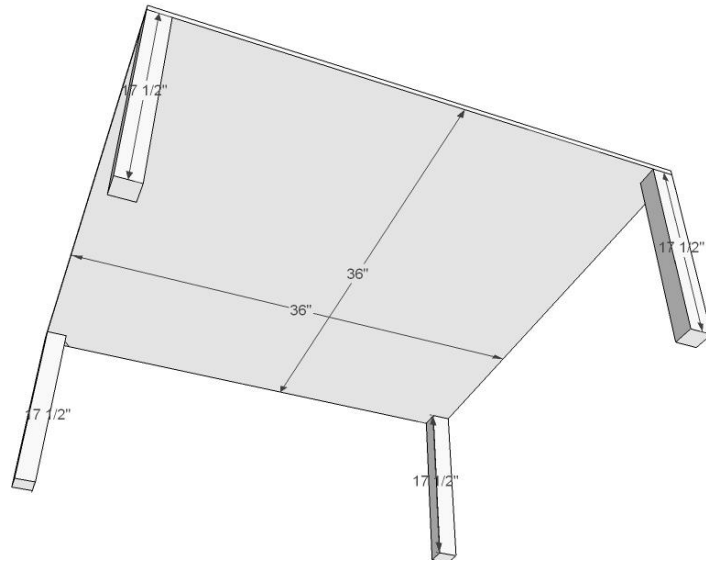
2 - 1X4 @ 37 1/2"

4 - 2X2 @ 17 1/2"

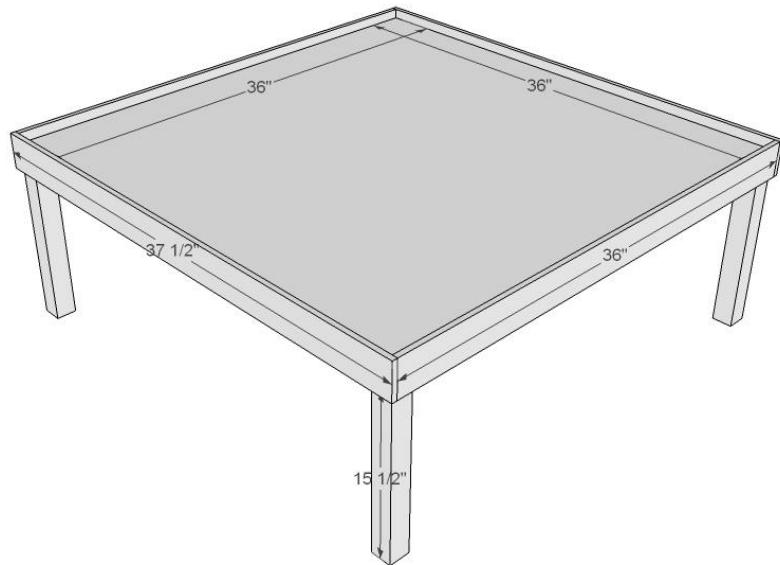
Begin with the plywood cut to 3" X 36":



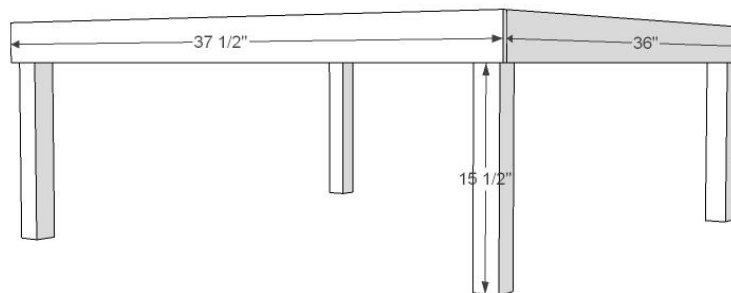
Attach the 17 1/2" 2X2's to the corners of your plywood:



Next, starting with the 36" 1X4's, attach them to the sides of your table, leaving a 1" lip along the top of the table.



Finally, attach the 37 1/2" 1X4's to the sides of your table, again, leaving a 1" lip along the top of the table.



Now you're ready to paint the scenery and enjoy!